

Bluetooth Card Reader

Quick Start Guide




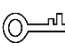

V1.0.1

General

This document elaborates on structure and installation of card reader.

Safety Instructions

The following categorized signal words with defined meaning might appear in the Manual.

Signal Words	Meaning
 DANGER	Indicates a high potential hazard which, if not avoided, will result in death or serious injury.
 WARNING	Indicates a medium or low potential hazard which, if not avoided, could result in slight or moderate injury.
 CAUTION	Indicates a potential risk which, if not avoided, could result in property damage, data loss, lower performance, or unpredictable result.
 TIPS	Provides methods to help you solve a problem or save you time.
 NOTE	Provides additional information as the emphasis and supplement to the text.

About the Manual

- The Manual is for reference only. If there is inconsistency between the Manual and the actual product, the actual product shall prevail.
- We are not liable for any loss caused by the operations that do not comply with the Manual.
- The Manual would be updated according to the latest laws and regulations of related regions. For detailed information, see the paper User's Manual, CD-ROM, QR code or our official website. If there is inconsistency between paper User's Manual and the electronic version, the electronic version shall prevail.
- All the designs and software are subject to change without prior written notice. The product updates might cause some differences between the actual product and the Manual. Please contact the customer service for the latest program and supplementary documentation.
- There still might be deviation in technical data, functions and operations description, or errors in print. If there is any doubt or dispute, please refer to our final explanation.
- Upgrade the reader software or try other mainstream reader software if the Guide (in PDF format) cannot be opened.

- All trademarks, registered trademarks and the company names in the Manual are the properties of their respective owners.
- Please visit our website, contact the supplier or customer service if there is any problem occurred when using the device.
- If there is any uncertainty or controversy, please refer to our final explanation.

Important Safeguards and Warnings

The following description is the correct application method of the device. Please read the manual carefully before use, in order to prevent danger and property loss. Strictly conform to the manual during application and keep it properly after reading.

Operating Requirement

- Please don't place and install the device in an area exposed to direct sunlight or near heat generating device.
- Please don't install the device in a humid, dusty or fuliginous area.
- Please keep its horizontal installation, or install it at stable places, and prevent it from falling.
- Please don't drip or splash liquids onto the device; don't put on the device anything filled with liquids, in order to prevent liquids from flowing into the device.
- Please install the device at well-ventilated places; don't block its ventilation opening.
- Use the device only within rated input and output range.
- Please don't dismantle the device arbitrarily.
- Please transport, use and store the device within allowed humidity and temperature range.

Power Requirement

- Please make sure to use batteries according to requirements; otherwise, it may result in fire, explosion or burning risks of batteries!
- To replace batteries, only the same type of batteries can be used!
- The product shall use electric cables (power cables) recommended by this area, which shall be used within its rated specification!
- Please use standard power adapter matched with the device. Otherwise, the user shall undertake resulting personnel injury or device damage.
- Please use power supply that meets SELV (safety extra low voltage) requirements, and supply power with rated voltage that conforms to Limited Power Source in IEC60950-1. For specific power supply requirements, please refer to device labels.
- Products with category I structure shall be connected to grid power output socket, which is equipped with protective grounding.
- Appliance coupler is a disconnecting device. During normal use, please keep an angle that facilitates operation.

Table of Contents

Foreword	II
Important Safeguards and Warnings	IV
1 Overview	1
2 Device Structure	2
2.1 Appearance.....	2
2.2 Structural Dimension	3
3 Device Installation	5
4 System Framework	7
5 Unlock with Bluetooth	8

As a reader device, the reader complements and improves video surveillance and visual intercom products. With neat fashionable appearance and powerful function, it is designed for high-end commercial buildings, corporation buildings, corporation properties and intelligent communities.

The reader boasts rich functions as follows:

- With 13.56MHZ/125KHZ frequencies, support card, password, card + password.
- Support standard Wiegand output and RS485 output.
- Reading distance is 2.8cm–5cm and response time is <0.1s.
- Support watchdog function.
- Support to unlock with Bluetooth, within 10m in capacious scenario.
- Support OSDP protocol.
- Support lightning protection, static electricity prevention and short circuit prevention function.
- Support buzzer and indicator light.

2.1 Appearance

Device appearance is shown in Figure 2-1.

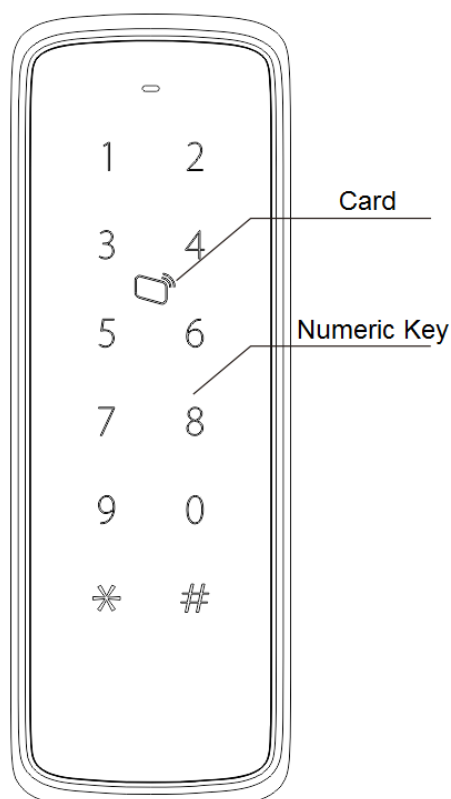


Figure 2-1

For wiring description of external controller port, please refer to Table 2-1.

Wire Color	Wiring Terminal	Description
Red	12V power	Reader power
Black	GND	
Blue	CASE (tamper-proof alarm feedback)	Wiegand reader
White	D1	
Green	D0	
Brown	LED	
Yellow	RS485-	RS485 reader
Purple	RS485+	

Table 2-1

2.2 Structural Dimension

Structural dimensions of the reader are shown in Figure 2-2 and Figure 2-3. Unit is mm.

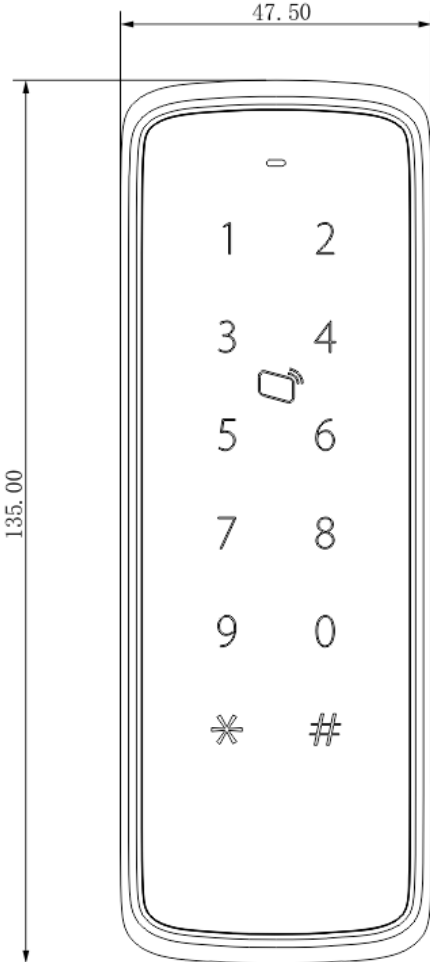


Figure 2-2

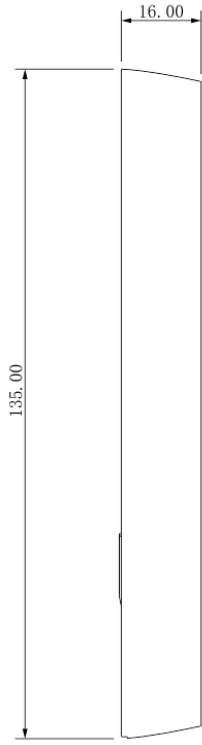


Figure 2-3

3

Device Installation

Installation diagrams of the reader are shown in Figure 3-1 and Figure 3-2.

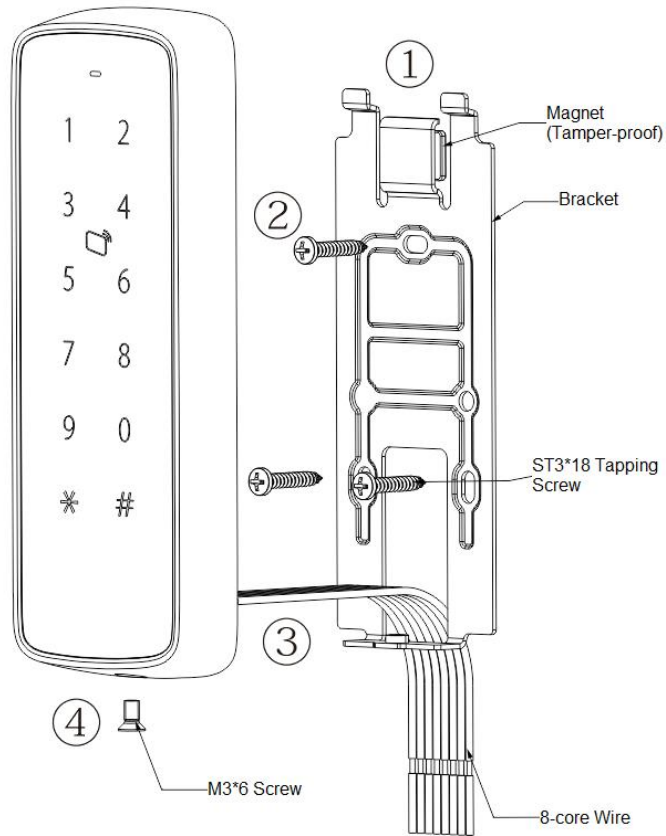


Figure 3-1

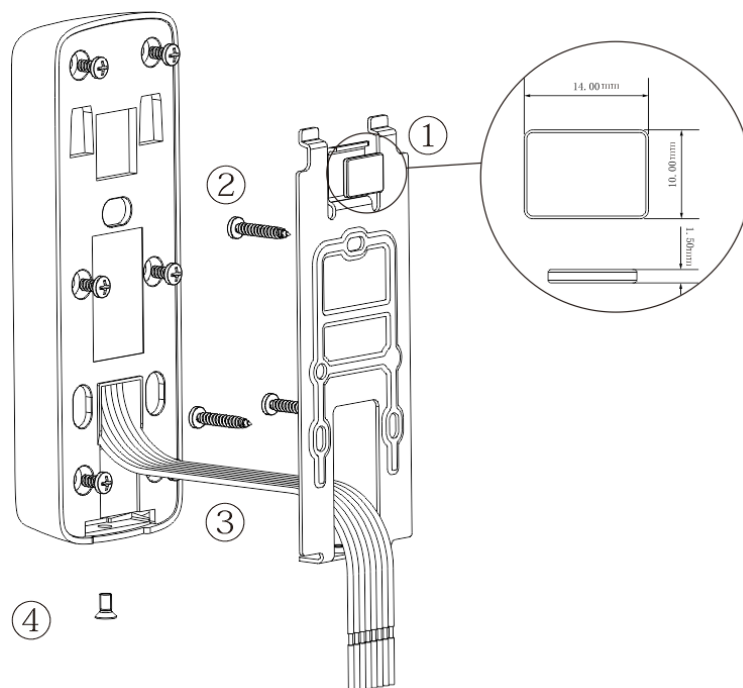


Figure 3-2

Installation steps are as follows:

- Step 1 Install the magnet to predetermined position of the bracket.
- Step 2 Install the bracket onto the wall with ST3×18 tapping screw.
- Step 3 Put 8-core wire of the device through the bracket, as shown in Figure 3-1 and Figure 3-2.
- Step 4 Through the hole, hang the device onto the bracket hook, straighten 8-core wire and fix it with M3×6 screws at the bottom.
- Step 5 Apply silicone sealant to gaps between the device and the wall.

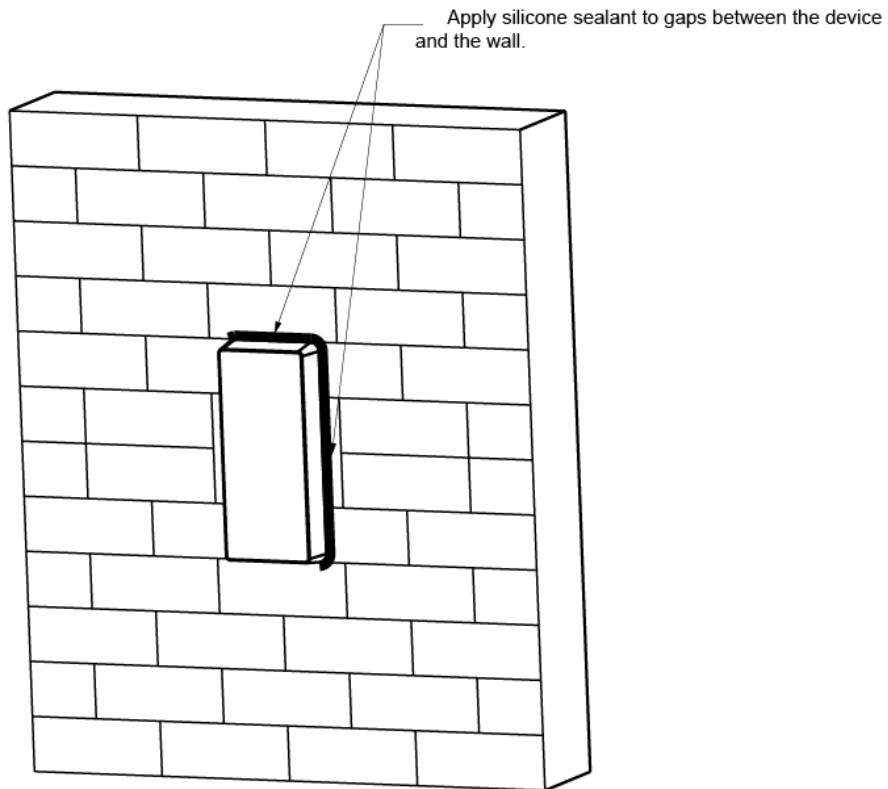


Figure 3-3

4

System Framework

System framework of the reader, access controller, exit button, door sensor and lock is shown in Figure 4-1.

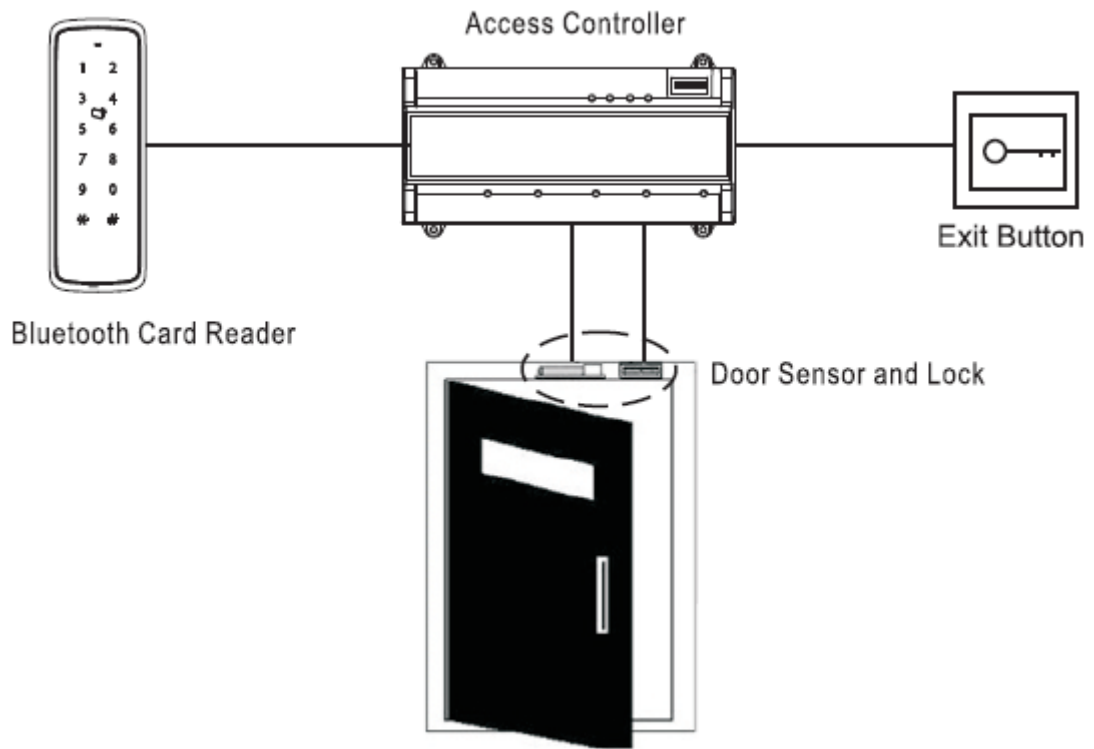


Figure 4-1

5 Unlock with Bluetooth

Support to unlock a door with Bluetooth on mobile phone client. Please scan the QR code on the cover page for detailed APP operation and unlocking operation.